

Shaft seal for axial dynamic sealing

Operating data:

Temperature:	FDI[®]-materials:	
	standard	reduced friction
-40°C up to +100°C	1000	1002
-30°C up to +200°C	3000	3002

Circumferential speed:

Over approx. 15m/s the seal must be supported axially and radial.

Order instruction:

In case of order you have to indicate: type, material

Order example:

FDI[®]-V-Seal, Type VA for shaft diameter C = 62mm
 working temperature T max. = 150°C

Order description: VA - 0060 **FDI[®]** 3000

The data shown above is based on long lasting experience in the manufacturing and use of sealing elements. As there are many unknown possible parameters and conditions in practice, which may limit standard performance, it is requested that the user runs practical tests. Except as expressly stated, Friedrich's liability, expressed or implied, is limited to the published selling price of our defective item.

Measurement schedule:

V-Seal	C	d ₁	W	B ₂	B	d ₂ Max.	d ₃ Min.	B ₁
VA-0003	2.7 - 3.5	2.5	1.5	2.1	3.0	C+1	C+4	2.5 ± 0.3
VA-0004	3.5 - 4.5	3.2	2	2.4	3.7	C+1	C+6	3.0 ± 0.4
VA-0005	4.5 - 5.5	4						
VA-0006	5.5 - 6.5	5						
VA-0007	6.5 - 8.0	6						
VA-0008	8.0 - 9.5	7						
VA-0010	9.5 - 11.5	9	3	3.4	5.5	C+2	C+9	4.5 ± 0.6
VA-0012	11.5 - 12.5	10.5						
VA-0013	12.5 - 13.5	11.7						
VA-0014	13.5 - 15.5	12.5						
VA-0016	15.5 - 17.5	14						
VA-0018	17.5 - 19	16						
VA-0020	19 - 21	18						
VA-0022	21 - 24	20						
VA-0025	24 - 27	22						
VA-0028	27 - 29	25						
VA-0030	29 - 31	27						
VA-0032	31 - 33	29						
VA-0035	33 - 36	31						
VA-0038	36 - 38	34						

FDI[®] and **FDI-DICHTUNGEN[®]** are registered trademarks of Friedrich GmbH.

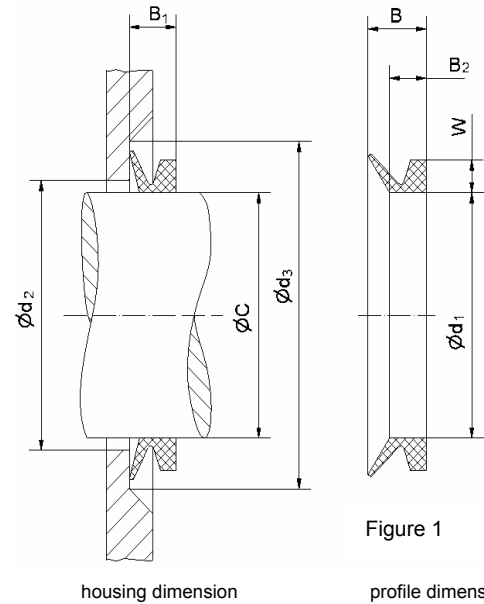


Figure 1

Measurement schedule:

V-Seal	C	d ₁	W	B ₂	B	d ₂ Max.	d ₃ Min.	B ₁
VA-0040	36 - 43	36	5	5.5	9.0	C+3	C+15	7.0±1.0
VA-0045	43 - 48	40						
VA-0050	48 - 53	45						
VA-0055	53 - 58	49						
VA-0060	58 - 63	54						
VA-0065	63 - 68	58						
VA-0070	68 - 73	63	6	6.8	11.0	C+4	C+18	9.0±1.2
VA-0075	73 - 78	67						
VA-0080	78 - 83	72						
VA-0085	83 - 88	76						
VA-0090	88 - 93	81						
VA-0095	93 - 98	85						
VA-0100	98 - 105	90	6	6.8	11.0	C+18	9.0±1.2	
VA-0110	105 - 115	99						
VA-0120	115 - 125	108						
VA-0130	125 - 135	117						
VA-0140	135 - 145	126						
VA-0150	145 - 155	135						
VA-0160	155 - 165	144	8	9.0	14.5	C+5	C+24	12.0±1.8
VA-0170	165 - 175	153						
VA-0180	175 - 185	162						
VA-0190	185 - 195	171						
VA-0199	195 - 210	180						
VA-0200	190 - 210	180						
VA-0220	210 - 235	198	15	14.3	25.0	C+10	C+45	20.0±4.0
VA-0250	235 - 265	225						
VA-0275	265 - 290	247						
VA-0300	290 - 310	270						
VA-0325	310 - 335	292						
VA-0350	335 - 365	315						
VA-0375	365 - 390	337	15	14.3	25.0	C+10	C+45	20.0±4.0
VA-0400	390 - 430	360						
VA-0450	430 - 480	405						
VA-0500	480 - 530	450						
VA-0550	530 - 580	495						
VA-0600	580 - 630	540						
VA-0650	630 - 665	600	15	14.3	25.0	C+10	C+45	20.0±4.0
VA-0700	665 - 705	630						
VA-0725	705 - 745	670						
VA-0750	745 - 785	705						
VA-0800	785 - 830	745						
VA-0850	830 - 875	785						
VA-0900	875 - 920	825	15	14.3	25.0	C+10	C+45	20.0±4.0
VA-0950	920 - 965	865						
VA-1000	965 - 1015	910						
VA-1050	1015 - 1065	955						
VA-1100	1065 - 1115	1000						
VA-1150	1115 - 1165	1045						
VA-1200	1165 - 1215	1090	15	14.3	25.0	C+10	C+45	20.0±4.0
VA-1250	1215 - 1270	1135						
VA-1300	1270 - 1320	1180						
VA-1350	1320 - 1370	1225						
VA-1400	1370 - 1420	1270						
VA-1450	1420 - 1470	1315						
VA-1500	1470 - 1520	1360	15	14.3	25.0	C+10	C+45	20.0±4.0
VA-1550	1520 - 1570	1405						
VA-1600	1570 - 1620	1450						
VA-1650	1620 - 1670	1495						
VA-1700	1670 - 1720	1540						
VA-1750	1720 - 1770	1585						
VA-1800	1770 - 1820	1630	15	14.3	25.0	C+10	C+45	20.0±4.0
VA-1850	1820 - 1870	1675						
VA-1900	1870 - 1920	1720						
VA-1950	1920 - 1970	1765						
VA-2000	1970 - 2020	1810						

Further profiles on request.