

The shaft-seal C-LF are special manufactured for extremely operation conditions in rolling-mills.

The shaft-seal C-LF can follow shaft deflection.

The FDI^â-shaft-seal type C-LF has a robust construction, with an unique combination of garter spring and spring carrier.

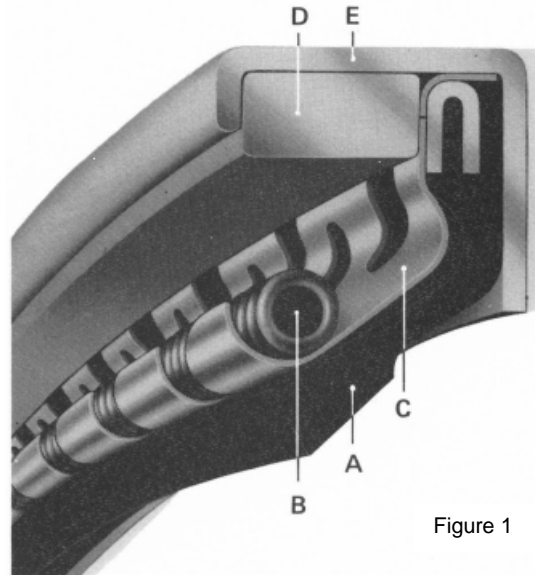


Figure 1

The illustration shows the construction of the C-LF seal and its component parts:

- A. Sealing member produced in a special material which is highly resistant to abrasion, oils and elevated temperatures. An 'U' shaped steel ring is integrally moulded into the radial flange to ensure positive and concentric positioning of the sealing member of the metal casing.
- B. & C. Garter spring and stainless steel spring carrier combine to provide a regulated loading on the sealing lip and enable the sealing element to follow shaft deflections. The special spring carrier ensures positive retention of the powerful garter spring and also prevents the garter spring from cutting into the special material and becoming coil-bound.
- D. Steel filler ring of generous section provides the rigidity required to overcome damage or distortion during assembly.
- E. Steel outer shell with a large roll-over to secure the components firmly in place is machined to close limits on the outside diameter to provide a press fit into the appropriate housing bore.

material:	temperature °C		speed		radial runout max. mm	chemical resistance
	min.	max.	m/s	max.		
FDI [®] 1000	-40	+100	12		3	as NBR
FDI [®] 1002	-40	+120	15		3	as NBR
FDI [®] 3000	-30	+200	25		3	as FPM
FDI [®] 3002	-30	+200	30		3	as FPM

The indicated data are limits and can't be combined !

The data shown above is based on long lasting experience in the manufacturing and use of sealing elements. As there are many unknown possible parameters and conditions in practice, which may limit standard performance, it is requested that the user runs practical tests. Except as expressly stated, Friedrich's liability, expressed or implied, is limited to the published selling price of our defective item.

FDI^â and FDI-DICHTUNGEN^â are registered trademarks of Friedrich GmbH.

FDI® shaft seal

model: C-LF

size list (housing dimensiones)

shaft dia mm	bore dia mm	width mm
200,02	238,12	17,45
203,20	241,30	17,40
228,60	266,70	17,45
241,30	292,10	20,60
266,70	304,80	17,45
266,70	317,50	19,01
285,00	325,00	19,50
285,80	336,60	20,60
311,10	349,30	17,40
311,00	361,00	20,64
336,55	374,65	17,45
349,25	400,05	20,65
355,60	393,70	17,45
368,30	406,40	17,46
374,65	412,75	17,46
381,00	419,10	17,46
388,87	439,67	17,45
400,00	438,15	17,45
419,10	463,55	19,05
419,10	469,90	20,62
431,80	482,60	19,10
431,80	482,59	20,62
444,50	482,60	17,45
457,20	495,30	17,40
469,90	520,70	20,60
482,60	520,70	19,05
495,30	546,10	22,20
508,00	546,10	19,05
514,35	552,45	19,05

shaft dia mm	bore dia mm	width mm
520,70	558,80	19,10
520,70	571,50	22,20
533,40	584,20	22,20
546,10	596,90	22,20
558,80	596,90	19,05
571,50	622,30	22,20
577,80	628,70	22,20
584,20	622,30	19,05
584,20	647,70	22,22
609,60	660,40	22,20
616,00	660,40	22,20
663,52	714,37	22,20
673,10	711,20	19,05
685,80	736,60	22,20
698,50	763,60	19,05
711,20	749,30	19,05
749,30	800,10	22,20
762,00	812,20	22,20
820,00	870,00	25,00
820,73	876,30	22,20
825,50	876,30	22,20
863,60	914,00	18,00
933,45	984,25	22,20
965,20	1016,00	22,23
1065,20	1110,45	22,30
1073,15	1123,69	25,40

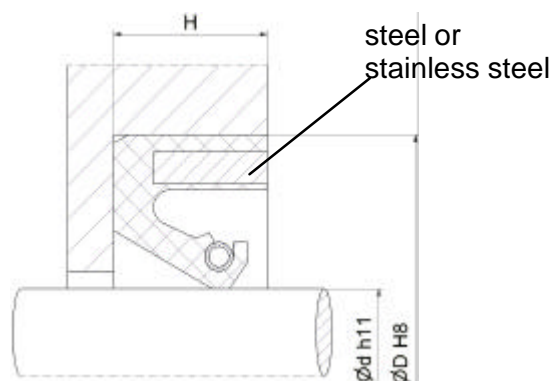
other sizes on request

The data shown above is based on long lasting experience in the manufacturing and use of sealing elements. As there are many unknown possible parameters and conditions in practice, which may limit standard performance, it is requested that the user runs practical tests. Except as expressly stated, Friedrich's liability, expressed or implied, is limited to the published selling price of our defective item.

FDI® and **FDI-DICHTUNGEN®** are registered trademarks of Friedrich GmbH.

Heavy duty, self retaining FDI^â rotary shaft seal model: M4

model	radial runout		operating pressure max.	
	mm	max.	Bar	Mpa
M4	1,5		0,5	0,05



lubrication: requested

material:	temperature °C		speed m/s max.	chemical resistance
	min.	max.		
FDI [®] 1000	-40	+100	12	as NBR
FDI [®] 1002	-40	+120	15	as NBR
FDI [®] 2000	-40	+170	25	as HNBR
FDI [®] 2002	-40	+170	25	as HNBR
FDI [®] 3000	-30	+200	25	as FPM
FDI [®] 3002	-30	+200	30	as FPM

Figure 1

The indicated data are limits and can't be combined !

housing dimension					
d (mm)	D (mm)	H (mm)	d (mm)	D (mm)	H (mm)
254	298,45	15,88	419,1	457,2	19
273,05	323,85	15,88	431,8	469,9	15,88
304,8	346,07	19	445	485	20
320	360	20	482,6	520,7	19
330,2	368,3	17,47	489	527	19
342,9	381	15,88	533,4	584,2	19
364,3	406,4	17,5	540	590	25
368,3	406,4	17,46	558,8	596,9	19
387,35	438,15	19	568,33	619,13	22,23
400,05	438,15	17,25	806,45	857,25	22,23
406,4	457,2	19	825,5	876,3	23,8

The data shown above is based on long lasting experience in the manufacturing and use of sealing elements. As there are many unknown possible parameters and conditions in practice, which may limit standard performance, it is requested that the user runs practical tests. Except as expressly stated, Friedrich's liability, expressed or implied, is limited to the published selling price of our defective item.

FDI^â and FDI-DICHTUNGEN^â are registered trademarks of Friedrich GmbH.