

### Application:

- rotary shaft seal
- to use also at:  
out of round situations

### fitting advise:

fitting into axial open housing.

### operating data:

material:	temperature °C		speed m/s max.	pressure
	min	max.		
FDI <sup>®</sup> 1650/L	-40	+120	= 40 m/s	low grade
FDI <sup>®</sup> 2650/L	-40	+170	= 40 m/s	low grade
FDI <sup>®</sup> 3650/L	-30	+220	= 40 m/s	low grade

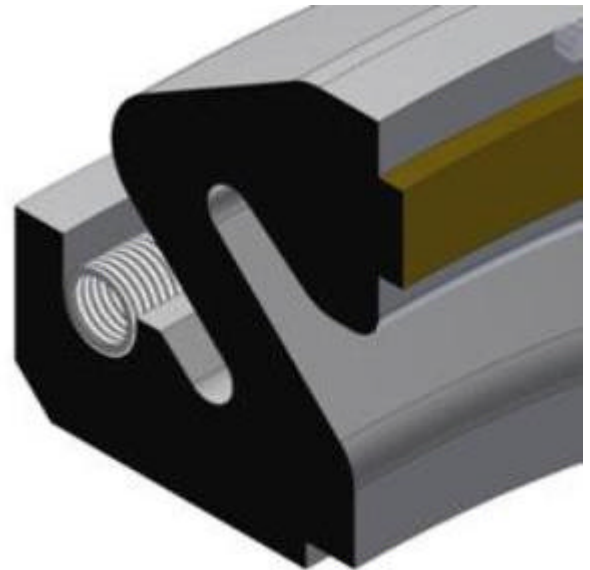


Figure 1

media to be sealed:

oil, grease, water, slurry, suspension with hard particles

**size list:**                      **material:** (x = tool available)

d (mm)	A (mm)	H (mm)	1650/L	2650/L	3650/L
100	23,5	16	x	x	
285	19	21	x	x	
478	28,5	25	x	x	
500	24	25	x	x	
508	24	20	x	x	
508	24	25	x	x	
600	24	25	x	x	
1880	24	32	x		

other sizes on request!

### how to order:

pls indicate:

- model, material
- d = fixing dia
- A = radial height of housing
- H = axial width of area
- radial runout
- axial movement

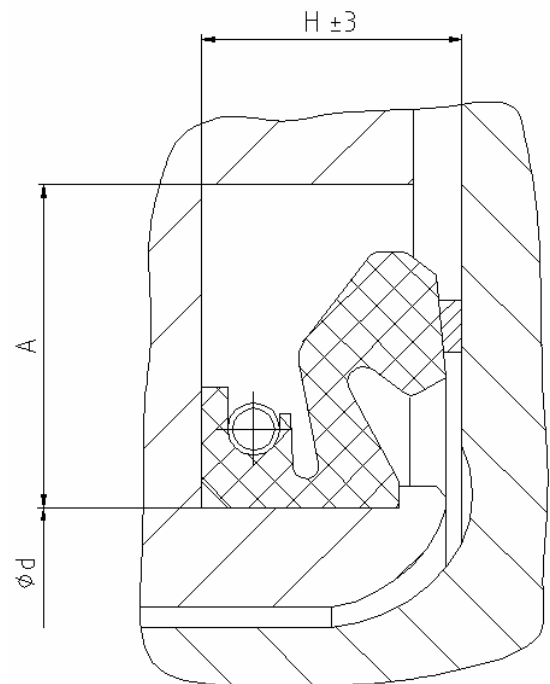


Figure 2

The data shown above is based on long lasting experience in the manufacturing and use of sealing elements. As there are many unknown possible parameters and conditions in practice, which may limit standard performance, it is requested that the user runs practical tests. Except as expressly stated, Friedrich's liability, expressed or implied, is limited to the published selling price of our defective item.

FDI<sup>â</sup>, FDI-DICHTUNGEN<sup>â</sup> and LABYSTOP<sup>â</sup> are registered trademarks of Friedrich GmbH.

FRIEDRICH GmbH - Höffgeschofweg 2 - 47807 Krefeld, Germany - [www.fdi-dichtungen.com](http://www.fdi-dichtungen.com)  
Tel.: ++49-(0)2151-835770 - Fax: ++49-(0)2151-835777 - e-mail: [info@fdi-dichtungen.com](mailto:info@fdi-dichtungen.com)