

FDI^â -spherical plain bearing seal GE40UK-GE70UK

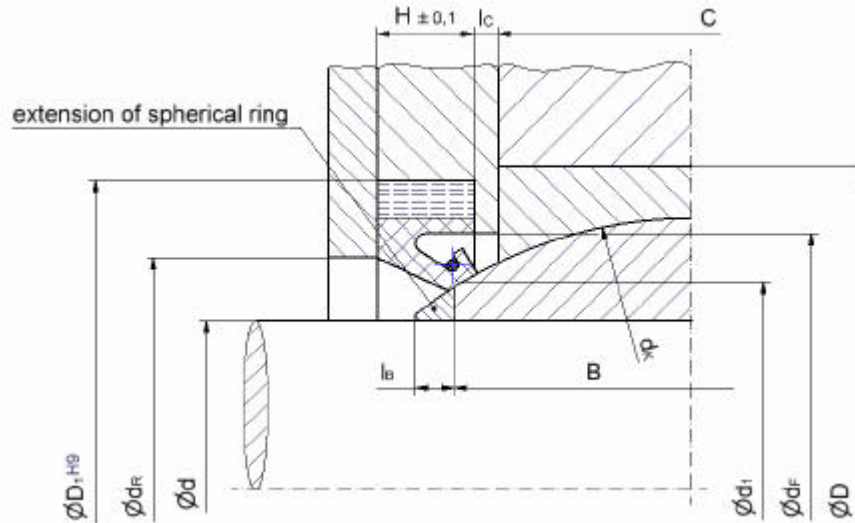


Figure 1

Typ	Ød	ØD	B	C	d _k	Ød ₁	ØD ₁	H	l _B	l _c	Ød _F	Ød _R
GE 40 UK	40	62	28	22	53	44,3	57,2	7,9	2,5	2	50,5	48,5
GE 45 UK	45	68	32	25	60	49,2	66,7	7,9	3	2,5	58	55
GE 50 UK	50	75	35	28	66	54	73	9,5	3,5	2,5	63,5	60
GE 60 UK	60	90	44	36	80	65	85	10	4	3	75	71,5
GE 70 UK	70	105	49	40	92	75	100	12	4,5	3,5	87,5	83

all sizes metric (mm)

material	temperature range	chemical resistance as:
FDI [®] 1002	- 40°C up to + 120°C	NBR
FDI [®] 2002	- 40°C up to + 170°C	HNBR
FDI [®] 3002	- 30°C up to + 200°C	FPM

order-description: FDI[®]-spherical plain bearing seal (ØD H9 x H)
for GE..... -UK

The data shown above is based on long lasting experience in the manufacturing and use of sealing elements. As there are many unknown possible parameters and conditions in practice, which may limit standard performance, it is requested that the user runs practical tests. Except as expressly stated, Friedrich's liability, expressed or implied, is limited to the published selling price of our defective item.

FDI^â and FDI-DICHTUNGEN^â are registered trademarks of Friedrich GmbH.

FRIEDRICH GmbH - Höffgeshofweg 2 - 47807 Krefeld, Germany - www.fdi-dichtungen.com
Tel.: ++49-(0)2151-835770 - Fax: ++49-(0)2151-835777 - e-mail: info@fdi-dichtungen.com

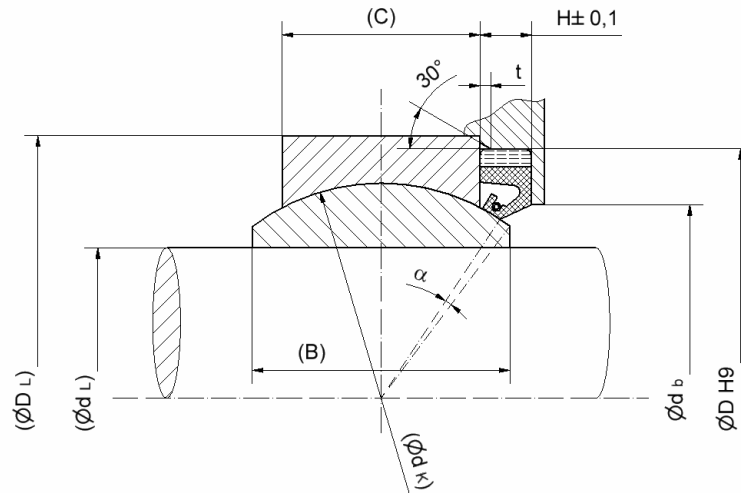


Figure 1

type	ØD _L	Ød _L	Ød _k	Ød _b max	ØD H9	B	C	H±0,1	t	a
GE 320 DW	440	320	380	364	394	160	135	20	2,5	1°
GE 340 DW	460	340	400	384	414	160	135	19	2,5	1°
GE 360 DW	480	360	420	409	441,5	160	135	20	2,5	1,5°
GE 380 DW	520	380	450	429	459	190	160	20	2,5	2°
GE 400 DW	540	400	470	453	487	190	160	21,5	2,5	1,5°
GE 420 DW	560	420	490	474	508	190	160	22	3	1°
GE 440 DW	600	440	520	496	530	218	185	22	3	1,5°
GE 460 DW	620	460	540	516	550	218	185	22	3	1,5°
GE 480 DW	650	480	565	541	575	230	195	22	3	1,5°
GE 500 DW	670	500	585	561	595	230	195	22	3	1,5°
GE 530 DW	710	530	620	596	630	243	205	22	3	2°
GE 560 DW	750	560	655	626	660	258	215	22	3	1,5°
GE 600 DW	800	600	700	671	714	272	230	25	3	1,5°
GE 630 DW	850	630	740	702	736,6	300	260	22,2	3	1,5°
GE 670 DW	900	670	785	747	781,05	308	260	22,2	3	2°
GE 710 DW	950	710	830	800	850,8	325	275	25,4	3	1,8°
GE 750 DW	1000	750	875	837	870,8	335	280	22,2	3	2,3°
GE 800 DW	1060	800	930	891	933,4	355	300	25,4	3	1,9°
GE 850 DW	1120	850	985	946	989	365	310	25	3	1,8°
GE 900 DW	1180	900	1040	1001	1044	375	320	25	3	1,7°
GE 950 DW	1250	950	1100	1057	1100	400	340	25	3	1,9°
GE 1000 DW	1320	1000	1160	1108	1151	438	370	25	3	2,2°

all sizes metric (mm)

material	temperature range	chemical resistance as:
FDI [®] 1002	- 40°C up to + 120°C	NBR
FDI [®] 2002	- 40°C up to + 170°C	HNBR
FDI [®] 3002	- 30°C up to + 200°C	FPM

order-description: FDI[®]-spherical plain bearing seal (ØD H9 x H)
for GE..... DW

The data shown above is based on long lasting experience in the manufacturing and use of sealing elements. As there are many unknown possible parameters and conditions in practice, which may limit standard performance, it is requested that the user runs practical tests. Except as expressly stated, Friedrich's liability, expressed or implied, is limited to the published selling price of our defective item.

FDI^â and FDI-DICHTUNGEN^â are registered trademarks of Friedrich GmbH.

FRIEDRICH GmbH - Höfgeschofweg 2 - 47807 Krefeld, Germany - www.fdi-dichtungen.com
Tel.: ++49-(0)2151-835770 - Fax: ++49-(0)2151-835777 - e-mail: info@fdi-dichtungen.com

FDI^â -spherical plain bearing seal GE...FW-2RS-series

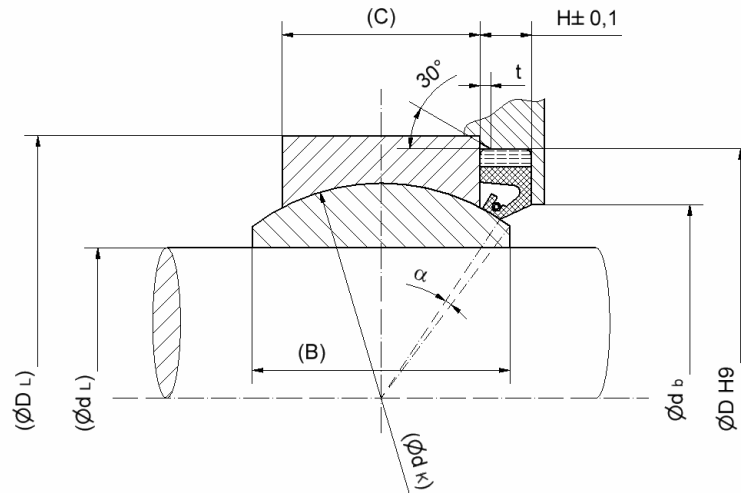


Figure 1

Typ	$\varnothing D_L$	$\varnothing d_L$	$\varnothing d_k$	$\varnothing d_b$ max.	$\varnothing D H9$	B	C	$H \pm 0,1$	t	a
GE 30 FW-2RS	55	30	47	44	55	32	20	9	0	4,81°
GE 35-FW-2RS	62	35	53	50	60	35	22	9	0,5	5,53°
GE 40 FW-2RS	68	40	60	55	65	40	25	8	0,5	8,44°
GE 45 FW-2RS	75	45	66	61	72	43	28	12	0,5	3,35°
GE 50 FW-2RS	90	50	80	75	88	56	36	10	0,5	9,33°
GE 60 FW-2RS	105	60	92	87	100	63	40	10	1,6	10,3°
GE 70 FW-2RS	120	70	105	98	115	70	45	12	1,6	10,71°
GE 80 FW-2RS	130	80	115	107	120	75	50	13	1,6	9,71°
GE 90 FW-2RS	150	90	130	123	140	85	55	13,3	1,6	10,25°
GE 100 FW-2RS	160	100	140	135	155	85	55	12	1,6	9,38°
GE 110 FW-2RS	180	110	160	148	165,1	100	70	12,7	2	8,58°
GE 120 FW-2RS	210	120	180	168	200	115	70	16	2	11,71°
GE 140 FW-2RS	230	140	200	190	215,9	130	80	15,9	2	11,87°
GE 160 FW-2RS	260	160	225	214	240	135	80	16	2	11,57°
GE 180 FW-2RS	290	180	250	240	270	155	100	16	2	10,97°
GE 200 FW-2RS	320	200	275	259	282,5	165	100	19,05	2	11,47°
GE 220 FW-2RS	340	220	300	290	320	175	100	16	2	12,89°
GE 240 FW-2RS	370	240	325	313	342,9	190	110	19,05	2	13,28°
GE 260 FW-2RS	400	260	350	338	371,7	205	120	25,4	3	12,55°
GE 280 FW-2RS	430	280	375	361	390	210	120	20	2,2	11,96°

all sizes metric (mm)

material:	temperature range	chemical resistance as:
FDI [®] 1002	- 40°C up to + 120°C	NBR
FDI [®] 2002	- 40°C up to + 170°C	HNBR
FDI [®] 3002	- 30°C up to + 200°C	FPM

order-description: FDI[®]-spherical plain bearing seal ($\varnothing D H9 \times H$)
for GE..... FW-2RS

The data shown above is based on long lasting experience in the manufacturing and use of sealing elements. As there are many unknown possible parameters and conditions in practice, which may limit standard performance, it is requested that the user runs practical tests. Except as expressly stated, Friedrich's liability, expressed or implied, is limited to the published selling price of our defective item.

FDI^â and FDI-DICHTUNGEN^â are registered trademarks of Friedrich GmbH.

FRIEDRICH GmbH - Höffgeschofweg 2 - 47807 Krefeld, Germany - www.fdi-dichtungen.com
Tel.: ++49-(0)2151-835770 - Fax: ++49-(0)2151-835777 - e-mail: info@fdi-dichtungen.com